

UWC Series



Underwater Connectors

Features:

- O-Ring Sealed interface
- 300 vDC Operating Voltage
- Temperature Range
-10°C to +80°C
- Hydrostatic tested to 500 p.s.i.
- Strain relief overmolded
- Stainless steel hardware
- Interface available in 9 & 20 pin
- Reliable performance

Typical Underwater Applications:

- Sensors
- Testing
- Data collection
- Misc. low voltage power distribution

Connectronics Corp. 
Interconnection Specialists
a **HEICO** company



Corporate Office
& Manufacturing Facilities:
2745 Avondale • P.O. Box 3355
Toledo, Ohio 43607

Phone: 419-537-0020
Fax: 419-537-0007
E-mail: info@connectronicscorp.com
Visit Us On Our Web Site @
www.connectronicscorp.com

DESCRIPTION:

CONNECTRONICS UNDERWATER SERIES CONNECTORS OFFER RELIABLE PERFORMANCE IN DEMANDING UNDERWATER INTERCONNECTION APPLICATIONS TODAY. IT'S CRITICAL WATER SEALING INTERFACE, STAINLESS STEEL HARDWARE, AND WATER SEALING OVER-MOLDING PROVIDE EXCELLENT UNDERWATER ENVIRONMENTAL PROTECTION.

TECHNICAL DATA:

ELECTRICAL:

VOLTAGE : 300 VDC
MAXIMUM CURRENT : 7.5 AMPS

ENVIRONMENTAL:

PRESSURE : UP TO 500 P.S.I.
TEMPERATURE : -10°C TO +80°C

TEST CONDITIONS:

MATED CONNECTORS ARE HYDROSTATIC PRESSURE TESTED TO 500 P.S.I. TO INSURE RELIABLE PERFORMANCE IN THE FIELD.

MATERIALS AND FINISHES:

CONNECTOR HARDWARE: STAINLESS STEEL, TYPE 316 PER QQ-S-763. PASSIVATED PER QQ-P-35.

PLUG INSULATOR: NEOPRENE RUBBER

RECEPTACLE INSULATOR: GLASS FILLED EPOXY

CABLE: #22 AWG TPC STRANDED CONDUCTOR WITH PVC INSULATION, FOLLOWED BY A FOIL SHIELD AND POLYURETHANE JACKET.

PLUG OVER MOLDING: POLYURETHANE RUBBER.

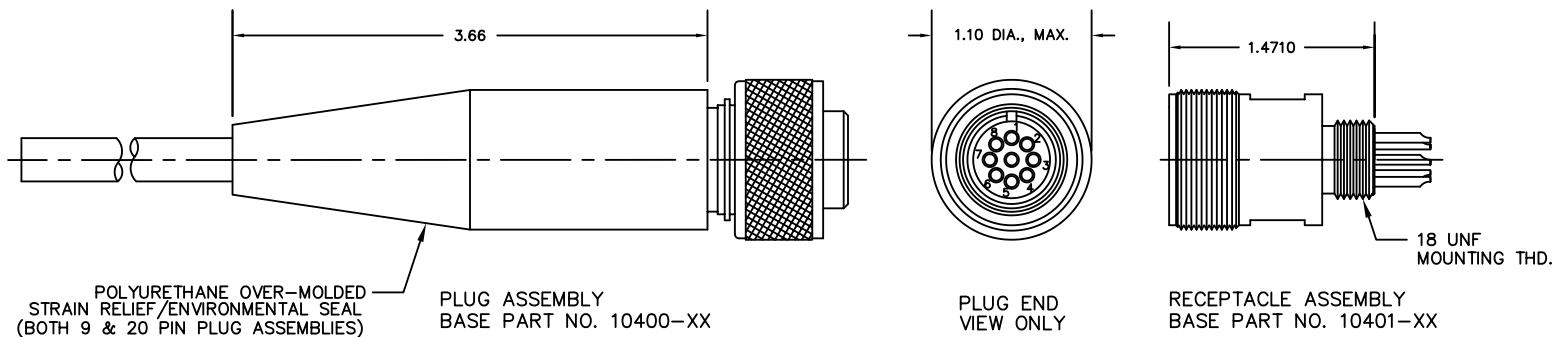
SOCKET CONTACTS: MEETS APPLICABLE PORTIONS OF MIL-C-39029.

PIN CONTACTS: HALF HARD BRASS PER QQ-B-626, GOLD PLATED PER MIL-G-45204.

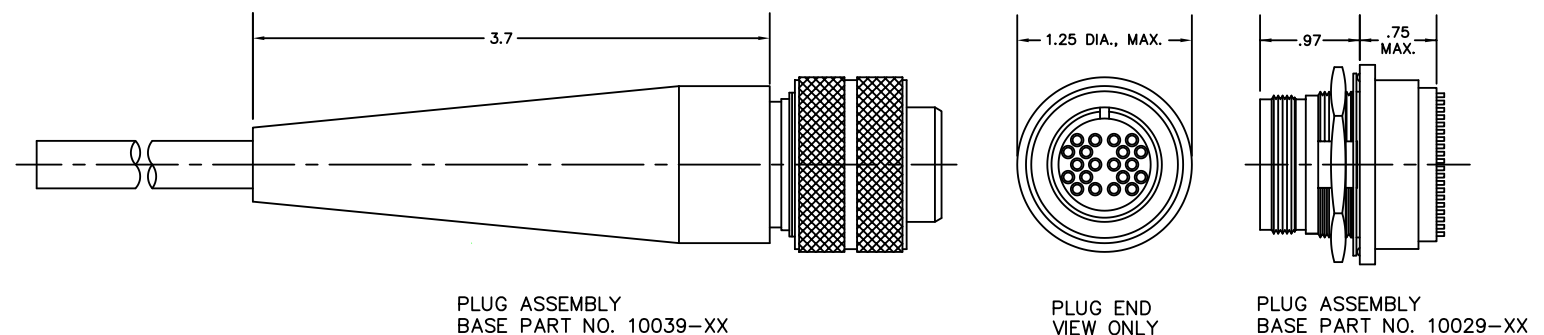
SIZE #20 SOLDER CUP CONTACTS ARE DESIGNED TO ACCOMMODATE UP TO A #20 AWG WIRE.

O-RINGS: NITRILE (BUNA-N) RUBBER

9-PIN PLUG AND RECEPTACLE ASSEMBLY



20-PIN PLUG & RECEPTACLE ASSEMBLY



ORDERING INFORMATION:

RECEPTACLE ASSEMBLIES CAN BE ORDERED AS KITS OR TERMINATED WITH WIRE TO MEET SPECIFIC REQUIREMENTS. PLUG ASSEMBLIES ARE PRE-TERMINATED WITH CABLE. VARIOUS CUSTOM CABLE CONFIGURATIONS ARE AVAILABLE. CONSULT CONNECTRONICS FOR ADDITIONAL INFORMATION.

ALSO AVAILABLE FROM CONNECTRONICS ARE A WIDE VARIETY OF CONNECTORS TO CONNECT THE UNDERWATER ASSEMBLIES TO PC BOARD JUMPER PINS AND I/O DEVICES. PLEASE CONSULT FACTORY FOR ADDITIONAL INFORMATION.

Connectronics
Corp. Interconnection Specialists
Phone: 419-537-0020