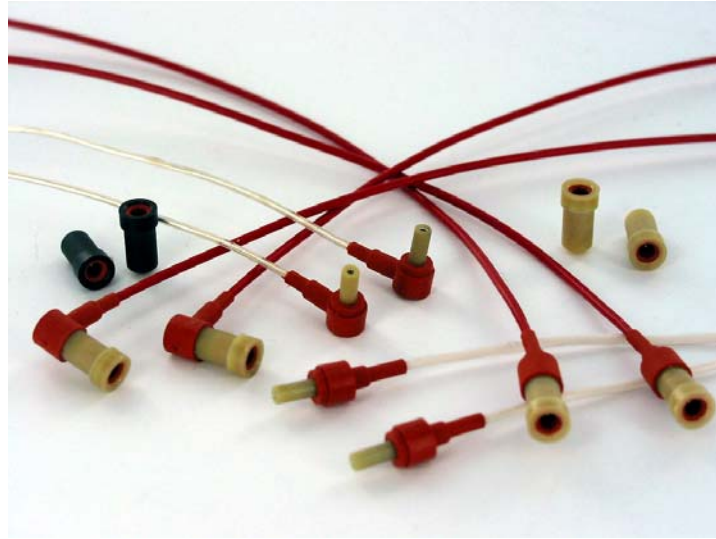


CPW SERIES



"CPW" High Voltage Push/Pull Miniature Connector Series

Features:

- Corona Free Interface
- Operating Voltage: 12 KVDC
- Temperature Range: -54°C to $+125^{\circ}\text{C}$
- Sea Level to 70,000 ft. Operation
- Shock and Vibration Proof Operation
- Push-pull mating

Connectronics
Corp. Interconnection Specialists

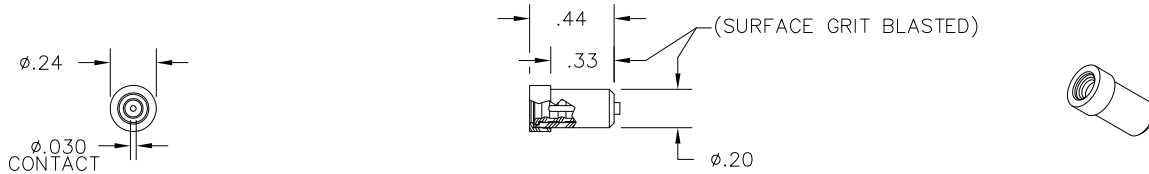


Corporate Office
& Manufacturing Facilities:
2745 Avondale • P.O. Box 3355
Toledo, Ohio 43607

Phone: 419-537-0020
Fax: 419-537-0007
E-mail: info@connectronicscorp.com
Visit Us On Our Web Site @
www.connectronicscorp.com

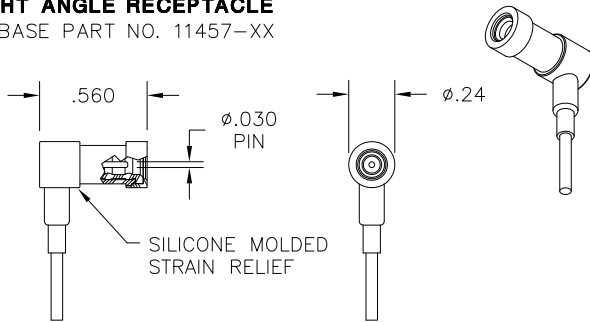
PANEL MOUNT RECEPTACLE

BASE PART NO. 11377-XX POLYETHERIMIDE BODY
BASE PART NO. 11485-XX DIALLYL PHTHALATE BODY



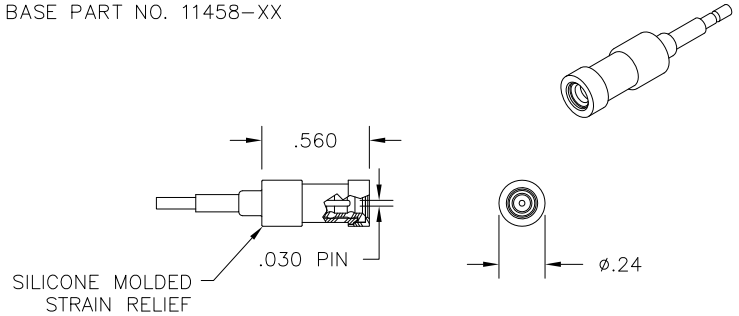
RIGHT ANGLE RECEPTACLE

BASE PART NO. 11457-XX



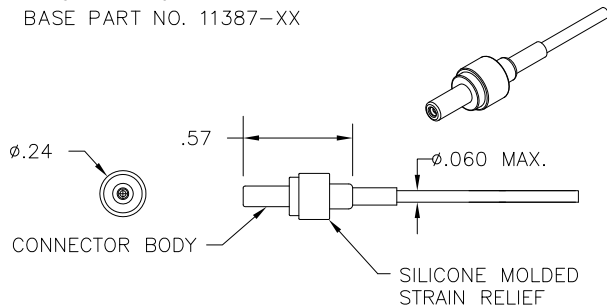
STRAIGHT RECEPTACLE

BASE PART NO. 11458-XX



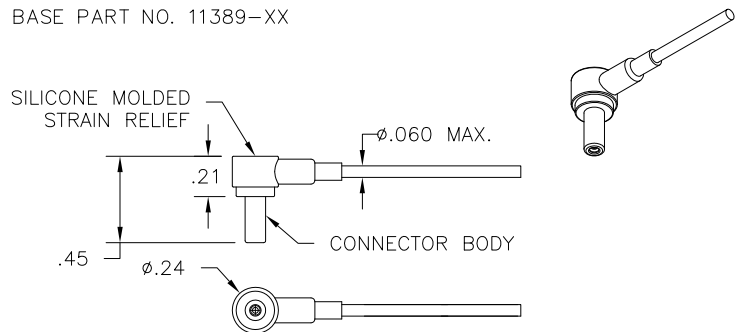
STRAIGHT PLUG

BASE PART NO. 11387-XX



RIGHT ANGLE PLUG

BASE PART NO. 11389-XX



DESCRIPTION:

CONNECTRONICS CORP "CPW" SERIES OFFERS A LOW COST HIGH VOLTAGE INTERCONNECTION SOLUTION TO APPLICATIONS WHERE SPACE AND WEIGHT ARE A CONCERN. THE USE OF THE "UPSET O-RING" INTERFACE TECHNOLOGY PROVIDES FOR RELIABLE OPERATION AT TEMPERATURE AND ALTITUDE EXTREMES.

TECHNICAL DATA:

ELECTRICAL:

VOLTAGE : 12 KVDC
MAXIMUM CURRENT : 4.5 AMPS

ENVIRONMENTAL:

ALTITUDE : SEA LEVEL TO 70,000 FT.
TEMPERATURE : -54°C TO $+125^{\circ}\text{C}$

MATERIALS AND FINISHES:

PLUG NOSE AND RECEPTACLE BODY: POLYETHERIMIDE RESIN, COLOR NATURAL
MOLDED STRAIN RELIEF AND INTERFACIAL SEAL: SILICONE RUBBER PER ZZ-R-765.
SOCKET CONTACT: MEETS APPLICABLE PORTIONS OF MIL-C-39029
PIN CONTACT: MEETS APPLICABLE PORTIONS OF MIL-C-39029
WIRE: #24 AWG (19/36) SPC, SILICONE COATED FEP INSULATED WIRE
#24 AWG (19/36) SPC, ETCHED FEP INSULATED WIRE

ORDERING INFORMATION

CPW'S CAN BE ORDERED AS A SINGLE ENDED PLUG, SINGLE ENDED RECEPTACLE OR AS DOUBLE ENDED ASSEMBLIES IN ANY COMBINATION OF CONNECTORS AT EACH END. -XX IN PART NUMBER WILL BE REPLACED BY A DASH NUMBER CORRESPONDING TO LENGTH AND CONSTRUCTION OF WIRE. CONSULT FACTORY FOR REQUIRED INFORMATION.
CPW ASSEMBLIES MAY ALSO BE ORDERED AS COMPLETELY ASSEMBLED CABLE ASSEMBLIES UTILIZING SPECIAL CONNECTOR HARDWARE TO MEET YOUR SPECIFICATIONS. CONSULT FACTORY FOR ADDITIONAL INFORMATION.
SIZE 22 CONTACTS WITHIN THE TERMINATED CONNECTORS WILL ACCOMMODATE #22 AWG TEFLON OR #24 AWG TEFLON OR SILICONE COATED TEFLON INSULATED WIRE. CONSULT FACTORY FOR ADDITIONAL INFORMATION.

Connectronics
Corp. Interconnection Specialists
Phone: 419-537-0020